



IW-22

in-wall docking system for iPod

By recognizing early-on the need for integrating audio and video content from the iPod® and iPod touch® into residential A/V systems, iPort® created the industry standard for controlling and playing iPod content. iPort is the only iPod and iPod touch solution that works flawlessly and seamlessly with a large variety of leading local-zone audio systems, home automation systems, and A/V control systems, providing integrators the ultimate flexibility for including iPods and iPod touch as A/V sources in their projects.

The iPort IW-22's RJ-45 modular connections deliver balanced audio up to 500 feet and unbalanced video up to 30 feet. iPort's integrated RS-232 allows compatible control systems to control the iPod/iPod touch with two-way communication (including iPod metadata). An IR control connection allows control of most iPod/iPod touch audio functions by compatible IR control systems, and the illuminated LED on the faceplate allows IR control of essential iPod menu and playback functions by an optional iPort EX-1 remote. The included wall plates provide stereo RCA audio and S-video, component, and composite video connections, RS-232 and IR control connections, and connections for the included regulated DC power supply. The IW-22 accepts all Apple dock connector iPod models, and includes a back support, — a rubberized adjustment disc that compensates for the varying thicknesses of different iPod models.

iPort IW-22 Features

- Delivers balanced audio up to 500 feet from the iPort.
- Built-in preamplifier allows variable volume control via IR and RS-232.
- Delivers unbalanced video up to 30 feet from iPort.
- IR connection allows remote control of most iPod/iPod touch audio functions.
- Integrated RS-232 control enables two-way communication (including iPod program metadata) and control of the iPod/iPod touch via compatible control systems.
- Regulated DC power supply charges the iPod/iPod touch while it is docked.
- Designed for easy docking/undocking of iPod
- Connects to wall plates with Cat5 cables via RJ-45 connectors
- Easy to install via Roto-Lock® mounting clamps
- Paintable flange

IW-22 Includes

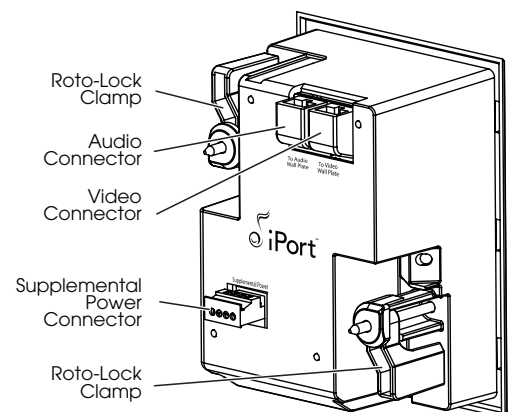
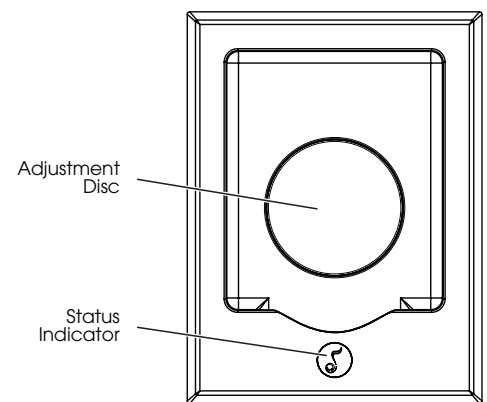
- (1) iPort dock (faceplate and utility box)
- (1) Balanced audio wall plate
- (1) Balanced audio sender plug-in circuit card
- (1) RS-232 control plug-in circuit card and RS-232 cable
- (1) Unbalanced video wall plate and cable
- (1) Regulated power supply with USA plug

Available IW-22 Upgrades

- Optional Balanced Video Upgrade Kit delivers video up to 500 feet from the iPort.

Dimensions (W x H x D): 4¾" x 6 5/16" x 3½" (121mm x 160mm x 89mm)

Cut-Out Dimensions (W x H): 4" x 5 9/16" (102mm x 141mm)



Compatibility

Compatible with most dockable iPod touch and iPod models, including iPod nano 4th gen, iPod classic 120GB and iPod touch 2nd gen. For current compatibility information, visit iportmusic.com.

iPort

212 Avenida Fabricante
San Clemente, CA USA
1.888.45.iPort
iportmusic.com

